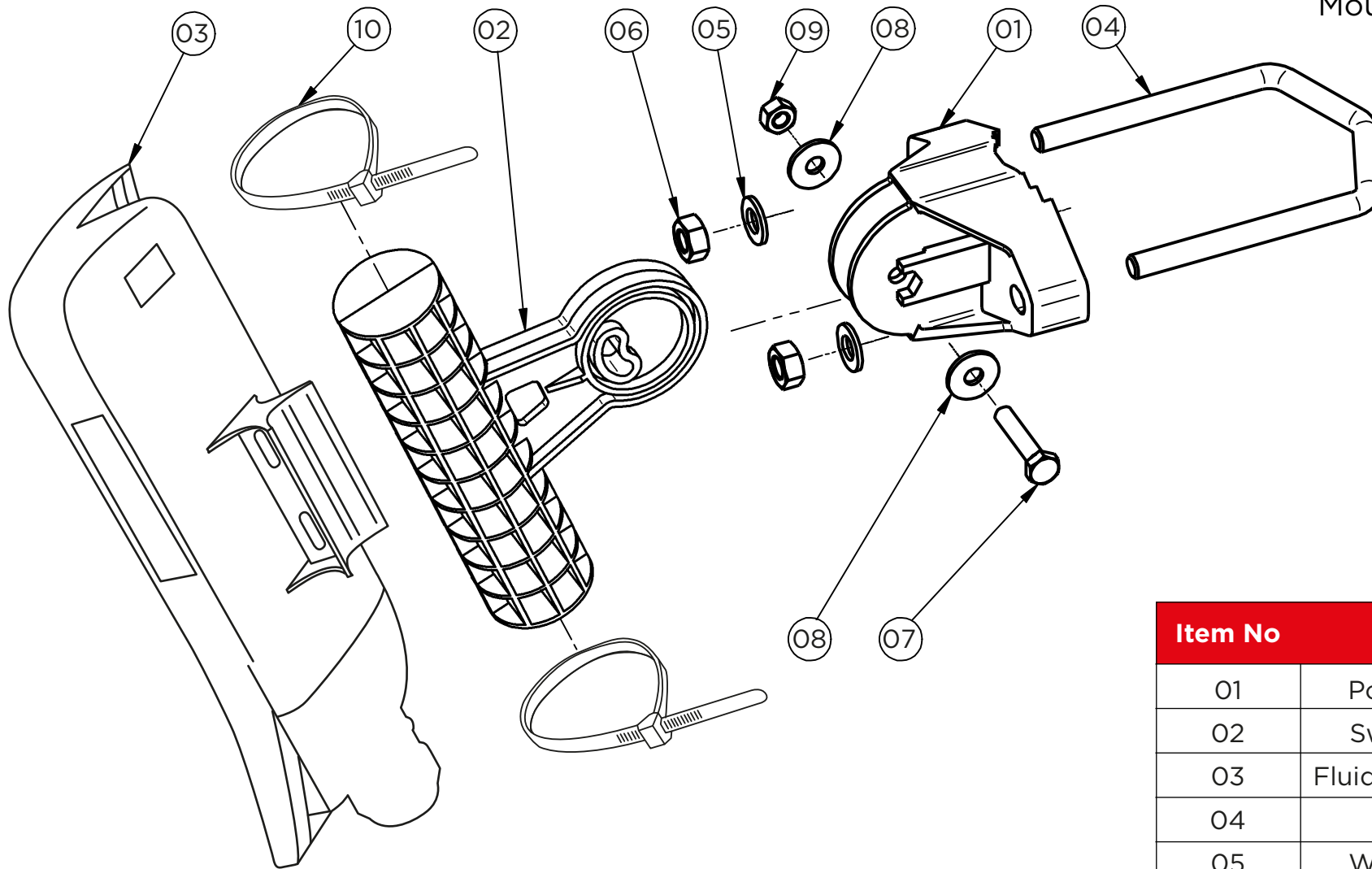


# Fluidmesh PONTE Mounting Bracket



Item No	Title	Quantity
01	Pole Mount	1
02	Swivel Rod	1
03	Fluidmesh Radio	1
04	U Bolt	1
05	Washer 8.4	2
06	Nut M8	2
07	Screw M6x25	1
08	Washer 6.4	2
09	Nut M6	1
10	Tie-wraps	2



**FLUIDMESH**  
NETWORKS